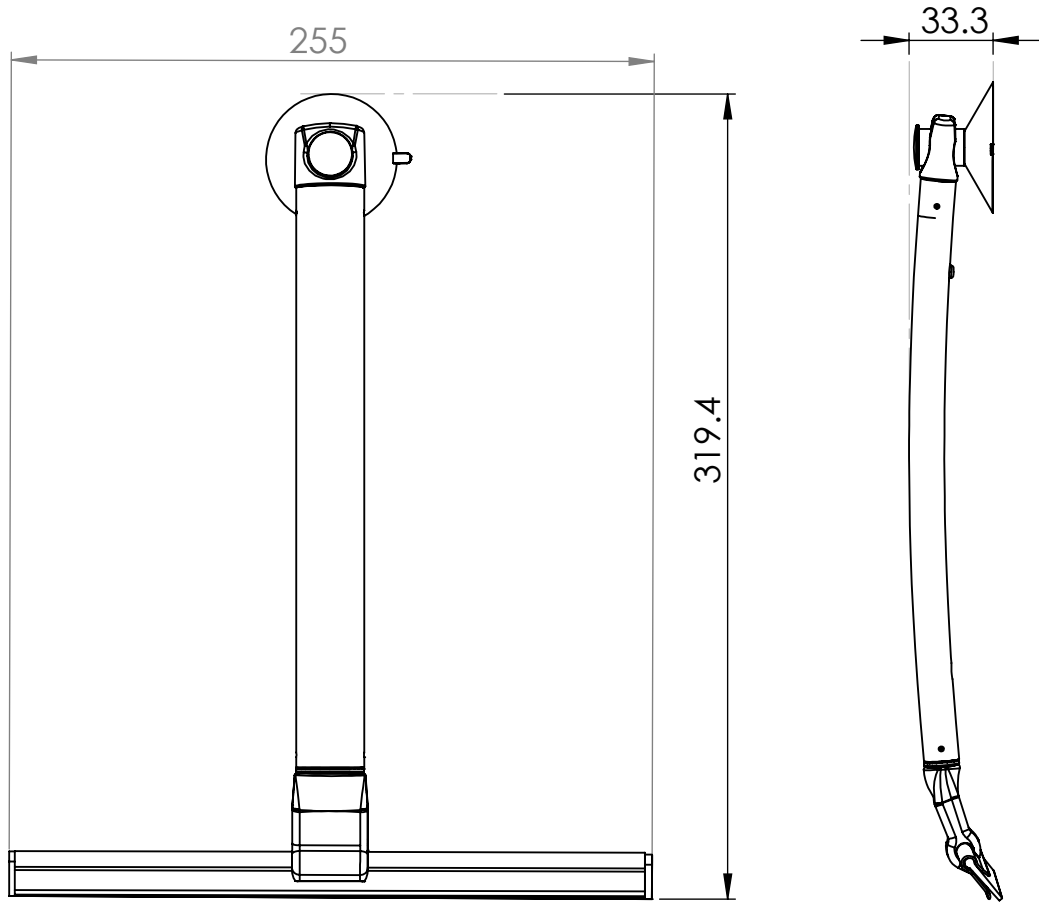


# ALTO Extendable Squeegee



Front View

Side View



**NOTES:  
PLEASE REFER TO 3D DATA FOR  
ALL PARTS**

**PLEASE ADVISE ON STANDARD  
PRODUCTION TOLERANCES FOR  
ALL PARTS.**



UNLESS OTHERWISE SPECIFIED: DIMENSIONS ARE IN MILLIMETERS

TITLE: ALTO Extendable Squeegee

DEBUR AND BREAK SHARP EDGES

DWG NO.

DO NOT SCALE DRAWING

REVISION #	REMARK	REVISION DATE
#1	Part 3	12/2/13
#2	Part 6	06/4/14

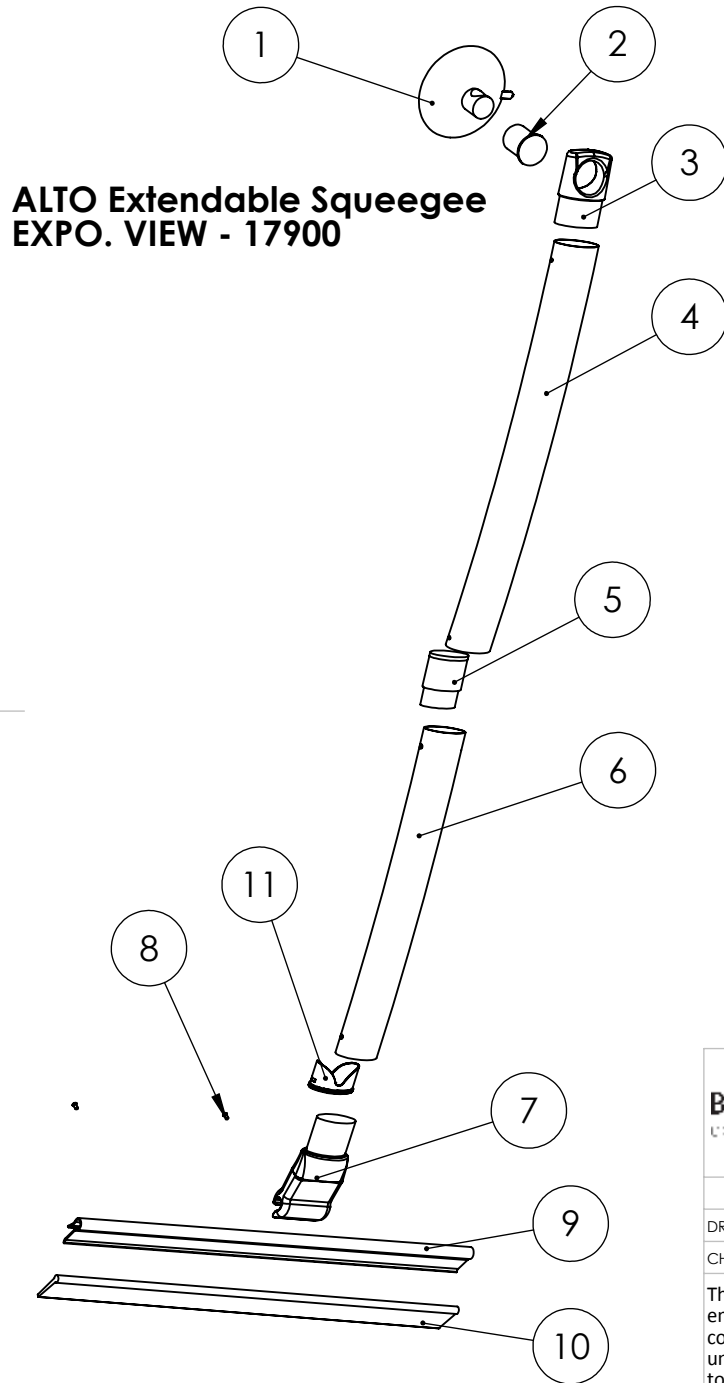
NAME	DATE	MATERIAL & FINISHES:
DRAWN RICKY SHI	06/4/2014	<b>SEE SHEET 2</b>
CHK'D ADAM BERKOWITZ		

The information, data, and drawings embodied in this document are strictly confidential and are supplied with the understanding that they will not be disclosed to third parties without the prior written consent of BLP international Inc. Copyright © BLP international Inc., all rights reserved.

SCALE:

SHEET 1 OF 14

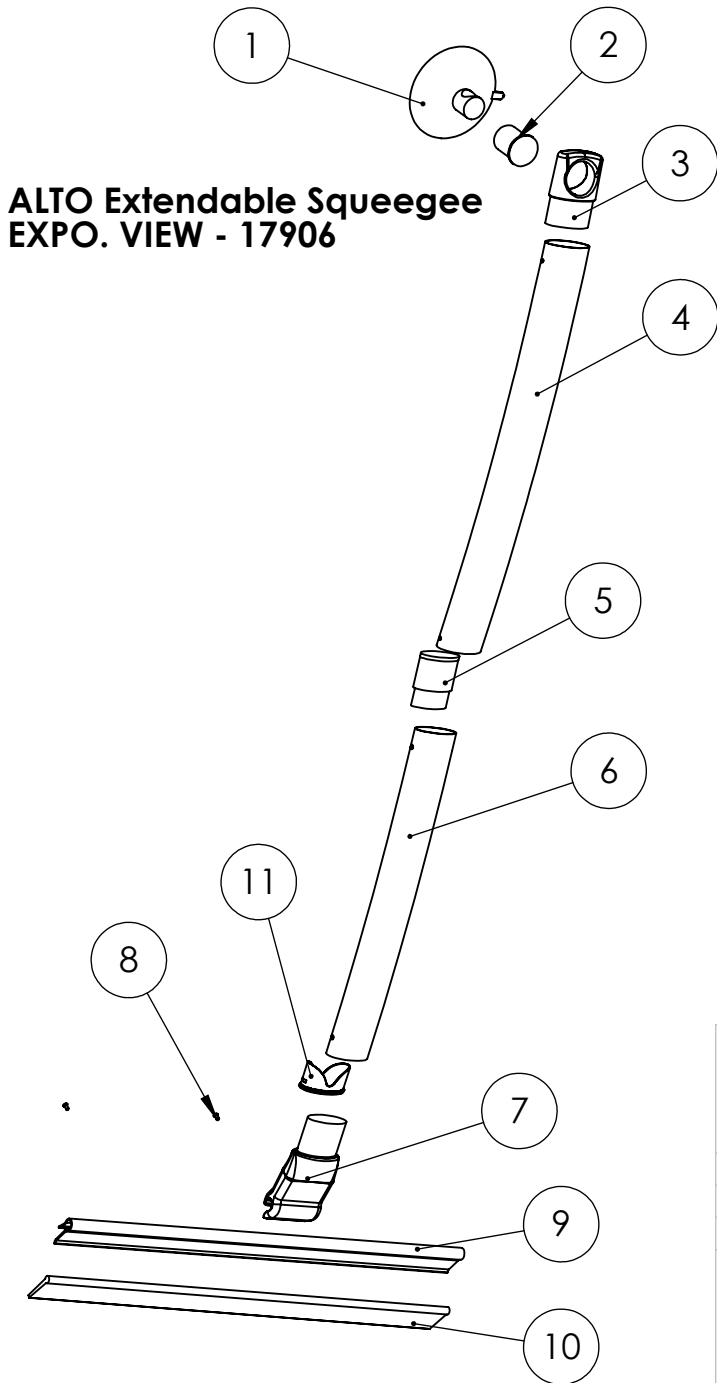
A4



ITEM NO.	PART	MATERIAL	COLOUR AND FINISH	QTY.
1	SUCTION CUP	PVC	CLEAR	1
2	METAL CAP	ABS	PLATED CHROME	1
3	BOTTOM CAP	ZINC DIE CAST	PLATED CHROME	1
4	OUTER TUBE	ANODIZED ALUMINUM	TEXTURED NATURAL ALUMINUM	1
5	MECHANISM	ABS CASING S/S SPRING LOADED BUTTON INSERT	NATURAL ABS AND S/S	1
6	INNER TUBE	ANODIZED ALUMINUM	TEXTURED NATURAL ALUMINUM	1
7	HEAD PIECE	ZINC DIE CAST	PLATED CHROME	1
8	SET SCREW	S/S	S/S	2
9	METAL BLADE	S/S	POLISHED	1
10	RUBBER BLADE	RUBBER	PANTONE 401	1
11	COLLAR	ABS	PLATED CHROME	1

## ALTO Extendable Squeegee (17900 - SILVER CHROME FINISH)

	UNLESS OTHERWISE SPECIFIED: DIMENSIONS ARE IN MILLIMETERS		TITLE: ALTO Extendable Squeegee (17900 - SILVER CHROME FINISH)	
	DEBUR AND BREAK SHARP EDGES		DWG NO.	
	DO NOT SCALE DRAWING		REVISION #	REMARK
NAME	DATE	MATERIAL & FINISHES:		
DRAWN RICKY SHI	06/4/14	SEE SHEET 2		
CHK'D ADAM BERKOWITZ				
<p>The information, data, and drawings embodied in this document are strictly confidential and are supplied with the understanding that they will not be disclosed to third parties without the prior written consent of BLP international Inc. Copyright © BLP international Inc., all rights reserved.</p>				
			SCALE:	
			SHEET 2 OF 14	
				A4



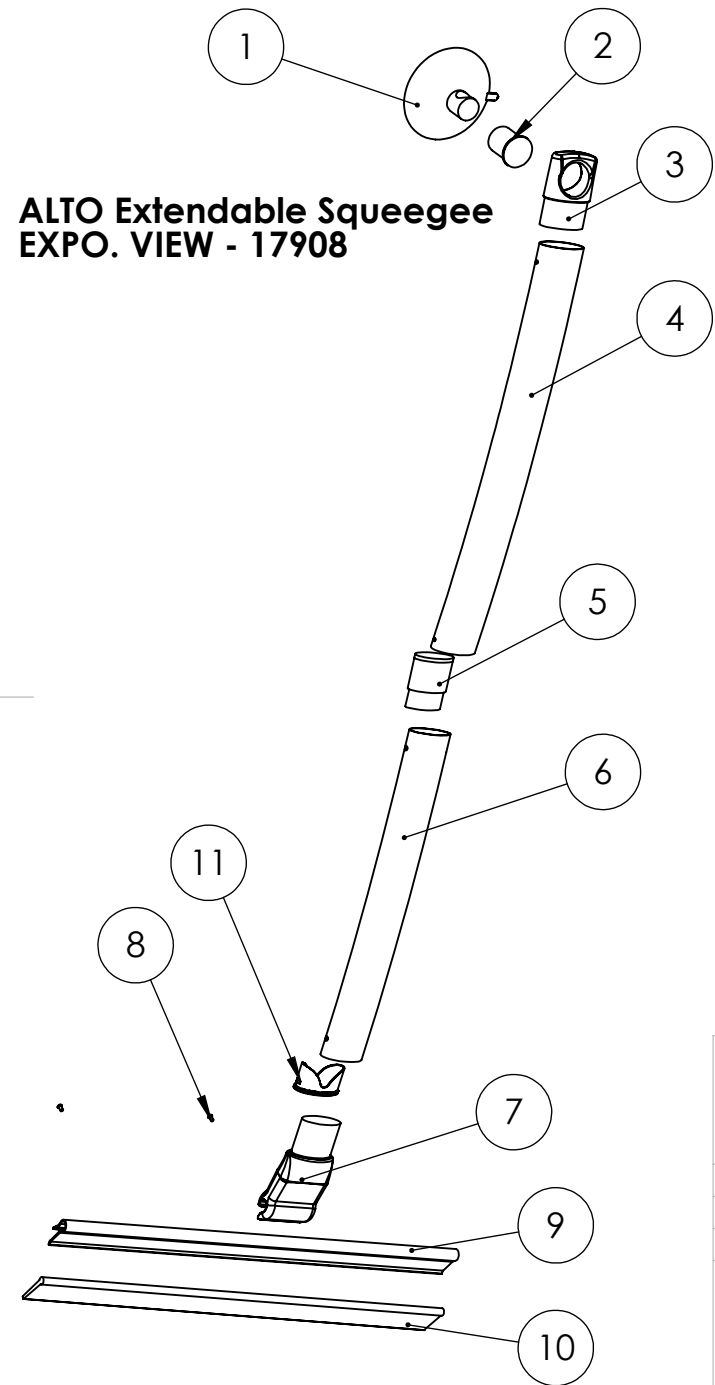
**ALTO Extendable Squeegee  
EXPO. VIEW - 17906**

ITEM NO.	PART	MATERIAL	COLOUR AND FINISH	QTY.
1	SUCTION CUP	PVC	CLEAR	1
2	METAL CAP	ABS	PLATED POLISHED NICKEL	1
3	BOTTOM CAP	ZINC DIE CAST	PLATED POLISHED NICKEL	1
4	OUTER TUBE	ANODIZEDALUMINUM	TEXTURED NICKEL	1
5	MECHANISM	ABS CASING S/S SPRING LOADED BUTTON INSERT	NATURAL ABS AND S/S	1
6	INNER TUBE	ANODIZEDALUMINUM	TEXTURED NICKEL	1
7	HEAD PIECE	ZINC DIE CAST	PLATED POLISHED NICKEL	1
8	SET SCREW	S/S	S/S	2
9	METAL BLADE	S/S	POLISHED	1
10	RUBBER BLADE	RUBBER	PANTONE 401	1
11	COLLAR	ABS	PLATED POLISHED NICKEL	1

**ALTO Extendable Squeegee  
(17906 - NICKEL/POLISHED NICKEL FINISH)**

	UNLESS OTHERWISE SPECIFIED: DIMENSIONS ARE IN MILLIMETERS		TITLE: ALTO Extendable Squeegee (17906 - NICKEL/POLISH NICKEL FINISH)	
	DEBUR AND BREAK SHARP EDGES		DWG NO.	
	DO NOT SCALE DRAWING		REVISION #	REMARK
NAME	DATE	MATERIAL & FINISHES:		
DRAWN RICKY SHI	06/4/14	SEE SHEET 2		
CHK'D ADAM BERKOWITZ				
<p>The information, data, and drawings embodied in this document are strictly confidential and are supplied with the understanding that they will not be disclosed to third parties without the prior written consent of BLP international Inc. Copyright © BLP international Inc., all rights reserved.</p>				
			SCALE:	SHEET 3 OF 14

A4



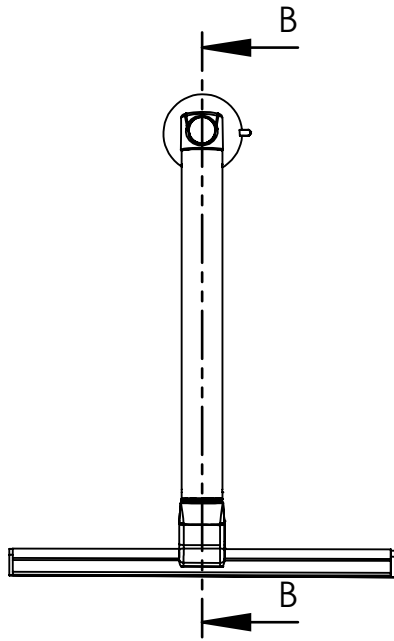
ITEM NO.	PART	MATERIAL	COLOUR AND FINISH	QTY.
1	SUCTION CUP	PVC	CLEAR	1
2	METAL CAP	ABS	PLATED POLISHED NICKEL	1
3	BOTTOM CAP	ZINC DIE CAST	PLATED POLISHED NICKEL	1
4	OUTER TUBE	ANODIZEDALUMINU M	TEXTURED BLACK	1
5	MECHANISM	ABS CASING S/S SPRING LOADED BUTTON INSERT	NATURAL ABS AND S/S	1
6	INNER TUBE	ANODIZEDALUMINU M	TEXTURED BLACK	1
7	HEAD PIECE	ZINC DIE CAST	PLATED POLISHED NICKEL	1
8	SET SCREWS	S/S	S/S	2
9	COLLAR	S/S	ABS	1
10	RUBBER BLADE	RUBBER	PANTONE 401	1
11	COLLAR	ABS	PLATED POLISHED NICKEL	1

## ALTO Extendable Squeegee (17908 - BLACK/POLISHED NICKEL FINISH)

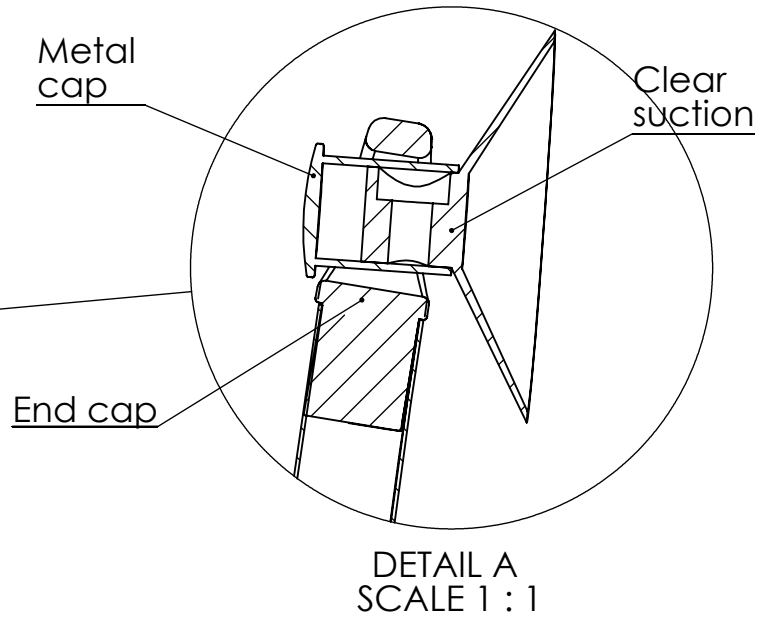
	UNLESS OTHERWISE SPECIFIED: DIMENSIONS ARE IN MILLIMETERS		TITLE: ALTO Extendable Squeegee (17908 - BLACK/POLISH NICKEL FINISH)		
	DEBUR AND BREAK SHARP EDGES		DWG NO.		
	DO NOT SCALE DRAWING		REVISION #	REMARK	REVISION DATE
NAME	DATE	MATERIAL & FINISHES:			
DRAWN RICKY SHI	06/4/14	SEE SHEET 2			
CHK'D ADAM BERKOWITZ					
<p>The information, data, and drawings embodied in this document are strictly confidential and are supplied with the understanding that they will not be disclosed to third parties without the prior written consent of BLP international Inc. Copyright © BLP international Inc., all rights reserved.</p>					
			SCALE:		SHEET 4 OF 14


A4

**ALTO Extendable Squeegee  
SUCTION CUP ASSEMBLY**

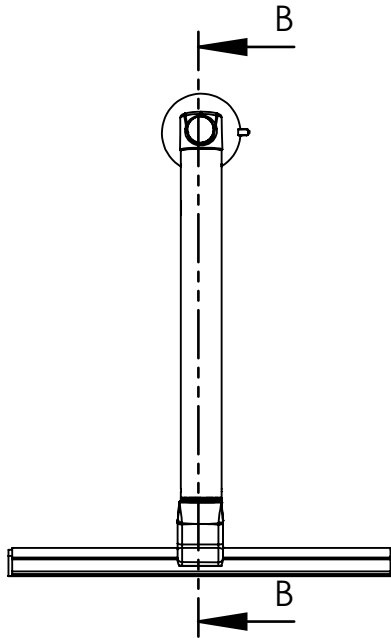


**SECTION B-B**

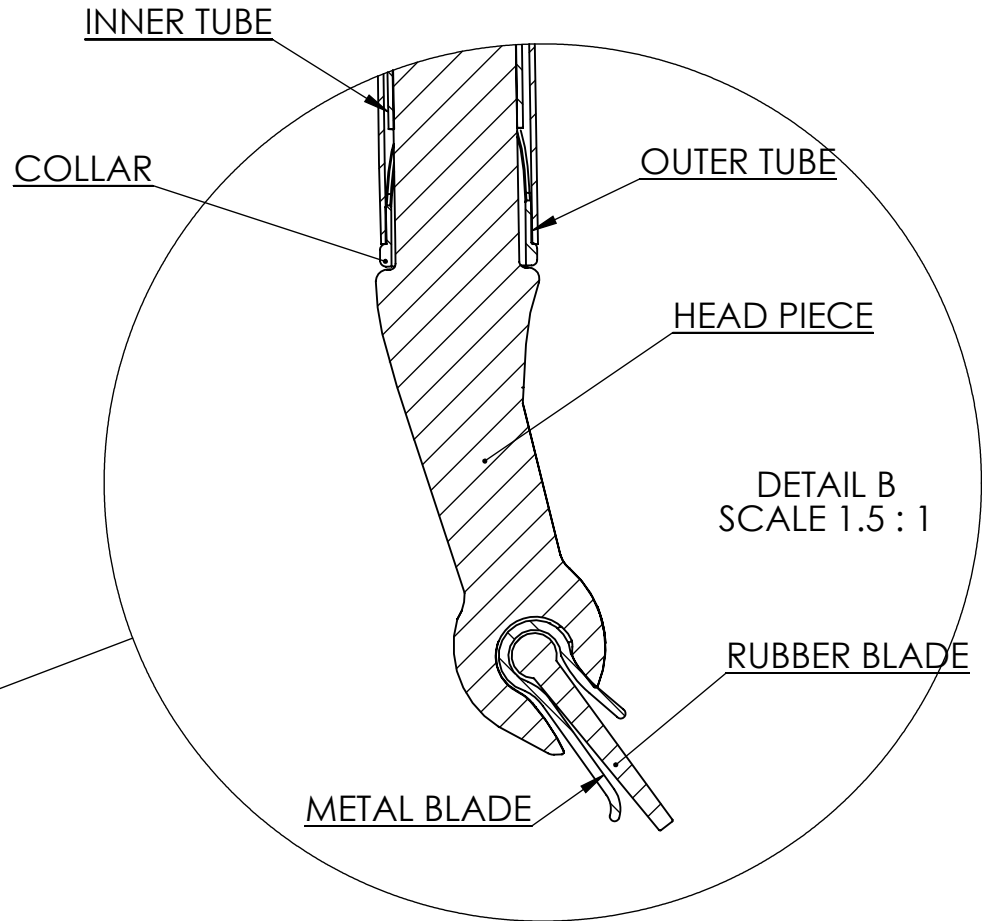


		UNLESS OTHERWISE SPECIFIED: DIMENSIONS ARE IN MILLIMETERS		TITLE: ALTO Extendable Squeegee	
		DEBUR AND BREAK SHARP EDGES		DWG NO.	
DO NOT SCALE DRAWING		REVISION #	REMARK	REVISION DATE	
NAME	DATE	MATERIAL & FINISHES:			
DRAWN RICKY SHI	06/04/14	<b>SEE SHEET 2</b>			
CHK'D ADAM BERKOWITZ					
<p>The information, data, and drawings embodied in this document are strictly confidential and are supplied with the understanding that they will not be disclosed to third parties without the prior written consent of BLP international Inc. Copyright © BLP international Inc., all rights reserved.</p>					A4
		SCALE:		SHEET 5 OF 14	

**ALTO Extendable Squeegee  
TOP ASSEMBLY**

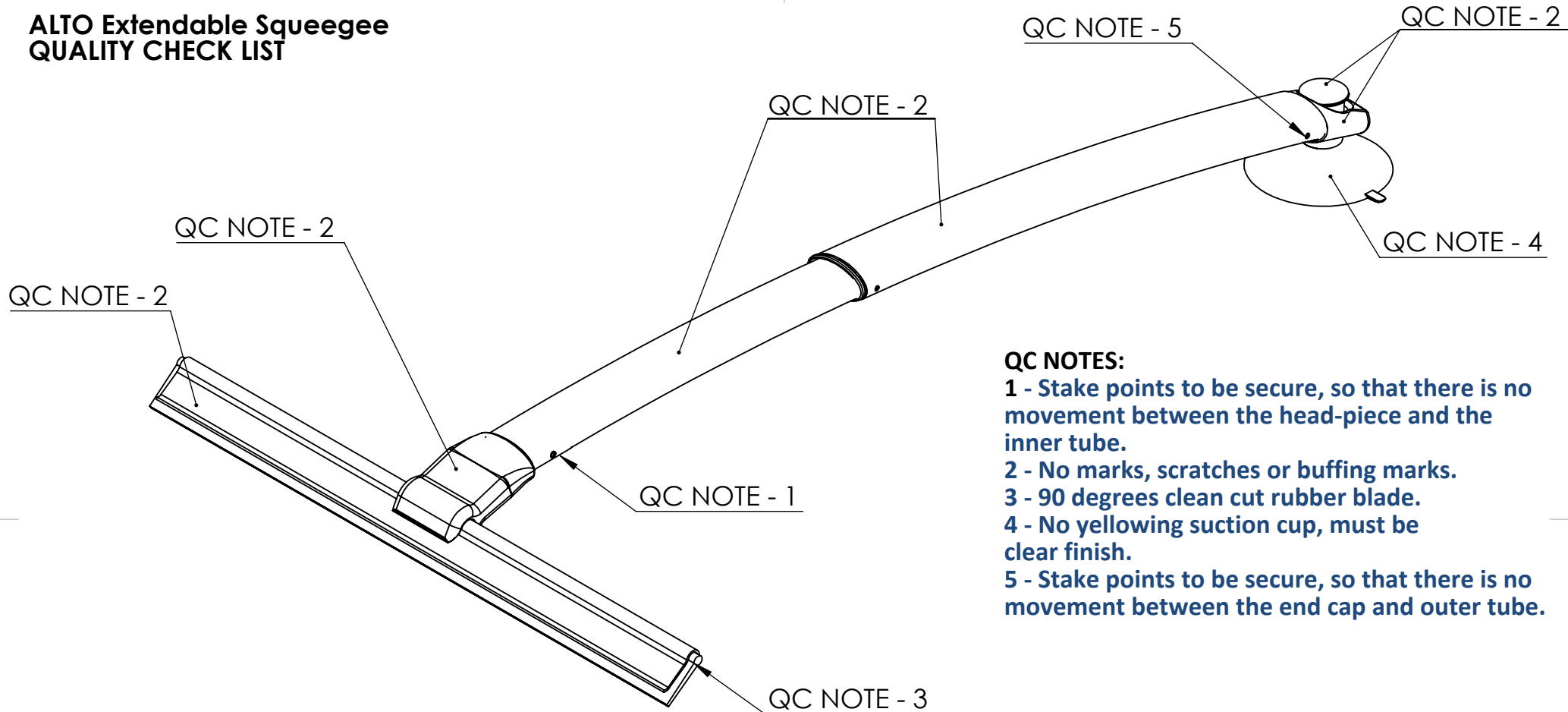


SECTION B-B



		UNLESS OTHERWISE SPECIFIED: DIMENSIONS ARE IN MILLIMETERS		TITLE: ALTO Extendable Squeegee	
		DEBUR AND BREAK SHARP EDGES		DWG NO.	
DO NOT SCALE DRAWING		REVISION #	REMARK	REVISION DATE	
NAME	DATE	MATERIAL & FINISHES:			
DRAWN RICKY SHI	06/04/14	SEE SHEET 2			
CHK'D ADAM BERKOWITZ					
<p>The information, data, and drawings embodied in this document are strictly confidential and are supplied with the understanding that they will not be disclosed to third parties without the prior written consent of BLP international Inc. Copyright © BLP international Inc., all rights reserved.</p>					A4
		SCALE:		SHEET 6 OF 14	

**ALTO Extendable Squeegee  
QUALITY CHECK LIST**



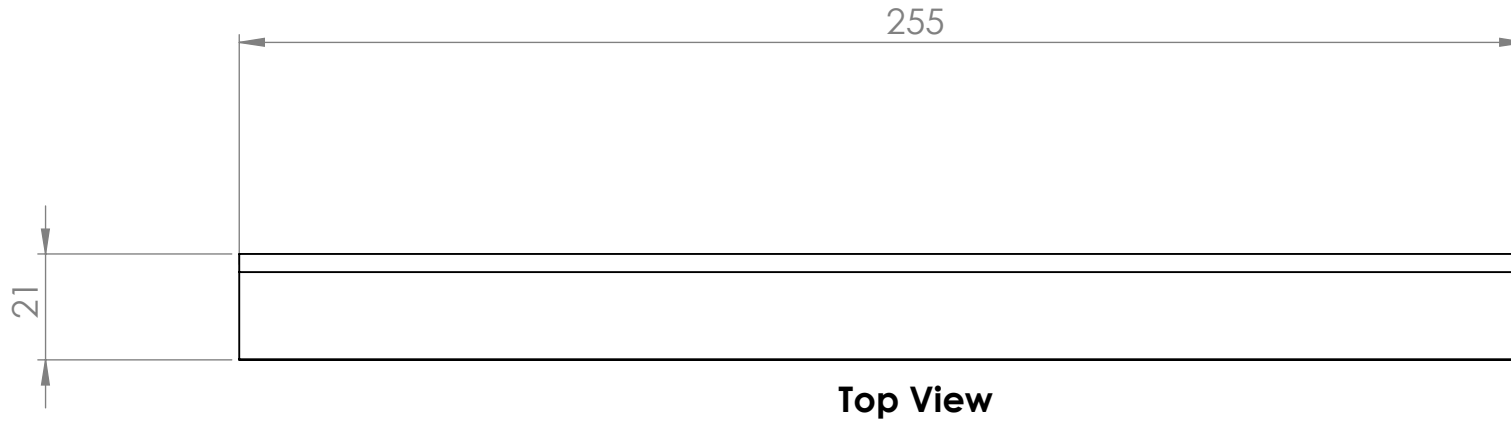
**QC NOTES:**

- 1 - Stake points to be secure, so that there is no movement between the head-piece and the inner tube.**
- 2 - No marks, scratches or buffing marks.**
- 3 - 90 degrees clean cut rubber blade.**
- 4 - No yellowing suction cup, must be clear finish.**
- 5 - Stake points to be secure, so that there is no movement between the end cap and outer tube.**

	UNLESS OTHERWISE SPECIFIED: DIMENSIONS ARE IN MILLIMETERS		TITLE: ALTO Extendable Squeegee	
	DEBUR AND BREAK SHARP EDGES		DWG NO.	
DO NOT SCALE DRAWING		REVISION #	REMARK	REVISION DATE
NAME	DATE	MATERIAL & FINSHES:		
DRAWN RICKY SHI	06/04/14	<b>SEE SHEET 2</b>		
CHK'D ADAM BERKOWITZ				
The information, data, and drawings embodied in this document are strictly confidential and are supplied with the understanding that they will not be disclosed to third parties without the prior written consent of BLP international Inc. Copyright © BLP international Inc., all rights reserved.				
		SCALE:	SHEET 7 OF 14	

A4

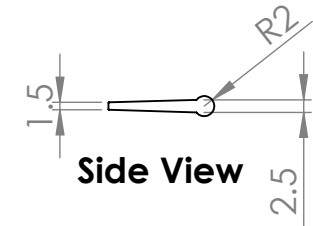
**Rubber blade x 1**



**Top View**



**Front View**

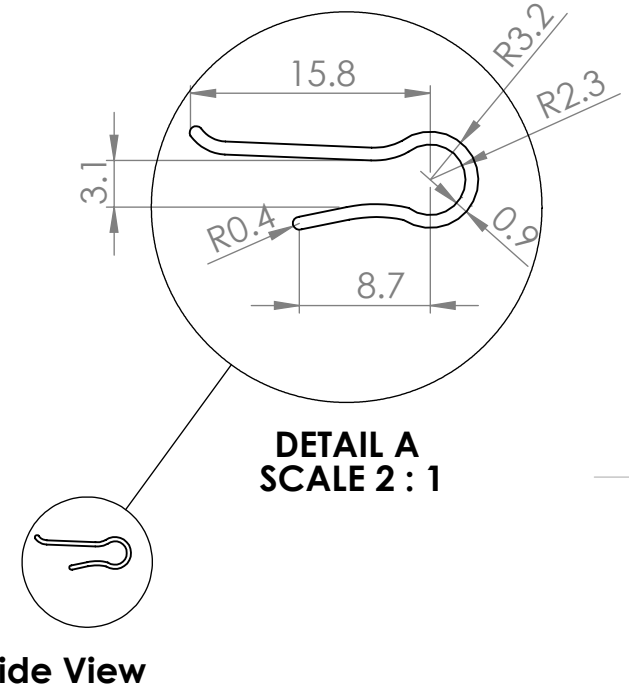
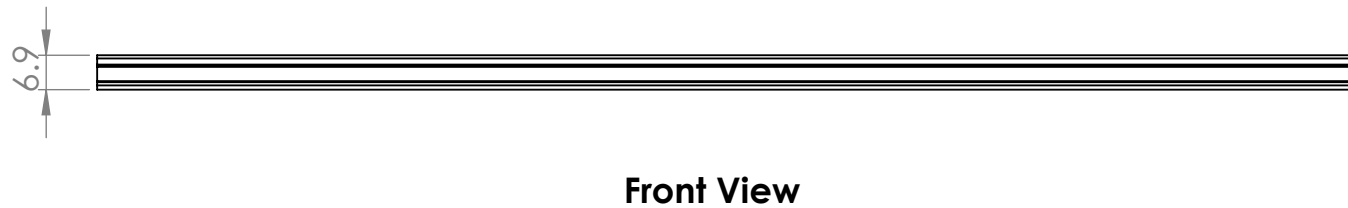
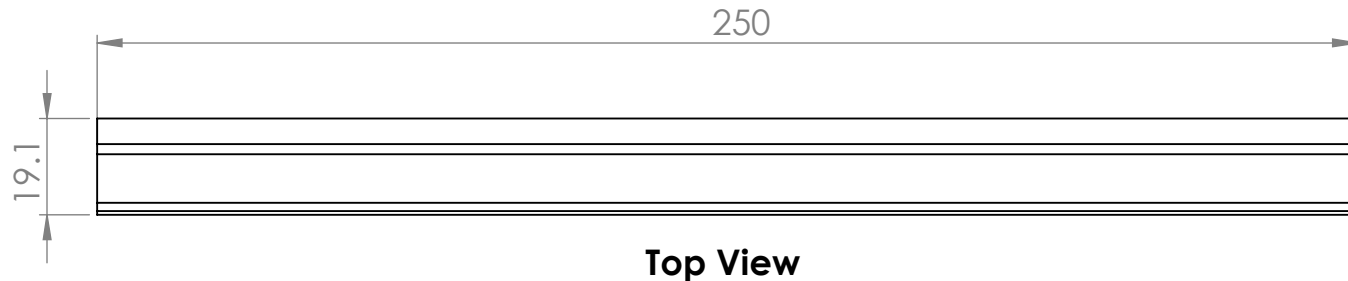


**Side View**

	UNLESS OTHERWISE SPECIFIED: DIMENSIONS ARE IN MILLIMETERS		TITLE: ALTO Extendable Squeegee		
	DEBUR AND BREAK SHARP EDGES		DWG NO.		
	DO NOT SCALE DRAWING		REVISION #	REMARK	REVISION DATE
	NAME	DATE	MATERIAL & FINISHES:		
DRAWN	RICKY SHI	06/04/14	<b>SEE SHEET 2</b>		
CHK'D	ADAM BERKOWITZ				
<p>The information, data, and drawings embodied in this document are strictly confidential and are supplied with the understanding that they will not be disclosed to third parties without the prior written consent of BLP international Inc. Copyright © BLP international Inc., all rights reserved.</p>					A4
			SCALE:	SHEET 8 OF 14	



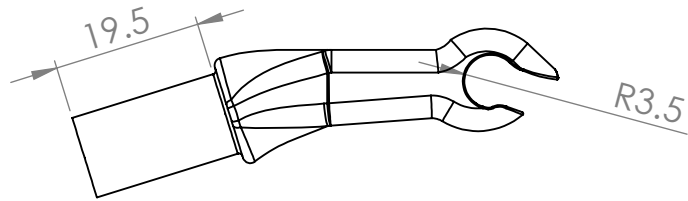
# Metal blade x 1



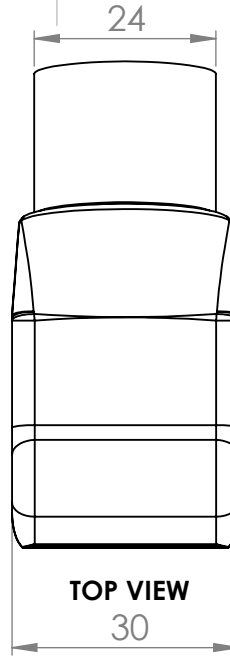
	UNLESS OTHERWISE SPECIFIED: DIMENSIONS ARE IN MILLIMETERS		TITLE: ALTO Extendable Squeegee	
	DEBUR AND BREAK SHARP EDGES		DWG NO.	
	DO NOT SCALE DRAWING		REVISION #	REMARK
NAME	DATE	MATERIAL & FINISHES:		
DRAWN RICKY SHI	06/04/14	<b>SEE SHEET 2</b>		
CHK'D ADAM BERKOWITZ				
<p>The information, data, and drawings embodied in this document are strictly confidential and are supplied with the understanding that they will not be disclosed to third parties without the prior written consent of BLP international Inc. Copyright © BLP international Inc., all rights reserved.</p>				
			SCALE:	SHEET 9 OF 14

A4

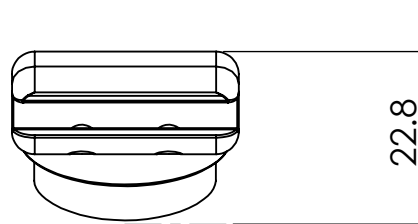
**Head piece x 1**



**SIDE VIEW**



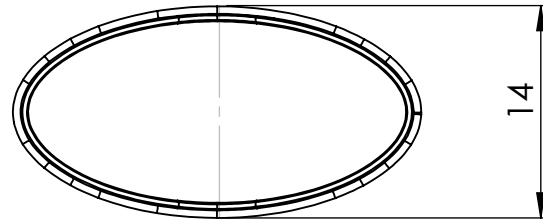
**TOP VIEW**



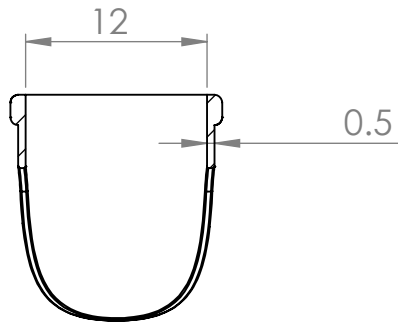
**FRONT VIEW**

		UNLESS OTHERWISE SPECIFIED: DIMENSIONS ARE IN MILLIMETERS		TITLE: ALTO Extendable Squeegee	
		DEBUR AND BREAK SHARP EDGES		DWG NO.	
DO NOT SCALE DRAWING		REVISION #	REMARK	REVISION DATE	
NAME	DATE	MATERIAL & FINSHES:			
DRAWN RICKY SHI	06/04/14	<b>SEE SHEET 2</b>			
CHK'D ADAM BERKOWITZ					
<p>The information, data, and drawings embodied in this document are strictly confidential and are supplied with the understanding that they will not be disclosed to third parties without the prior written consent of BLP international Inc. Copyright © BLP international Inc., all rights reserved.</p>					A4
		SCALE:		SHEET 10 OF 14	

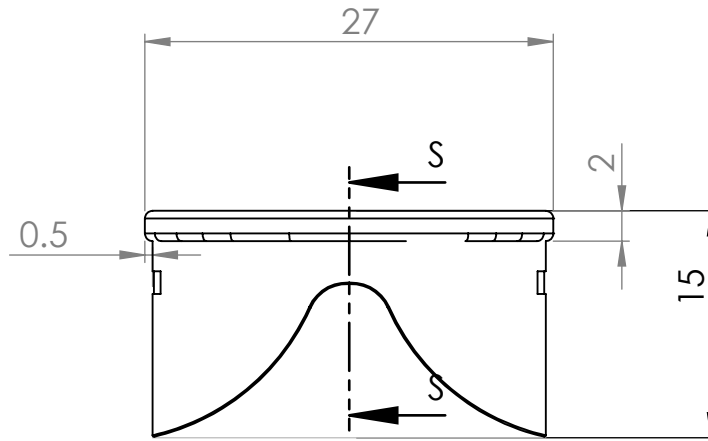
**Collar x 1**




**Front View**



**Left Side View**

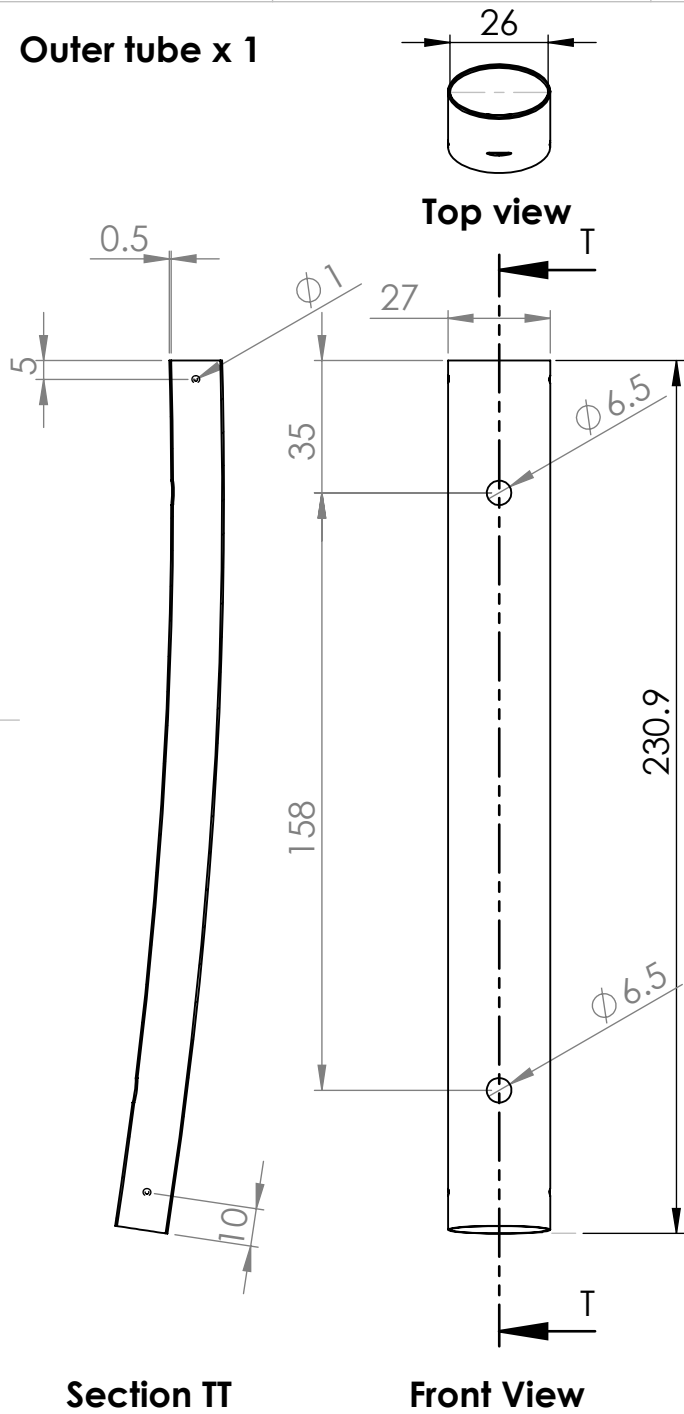


**Top View**

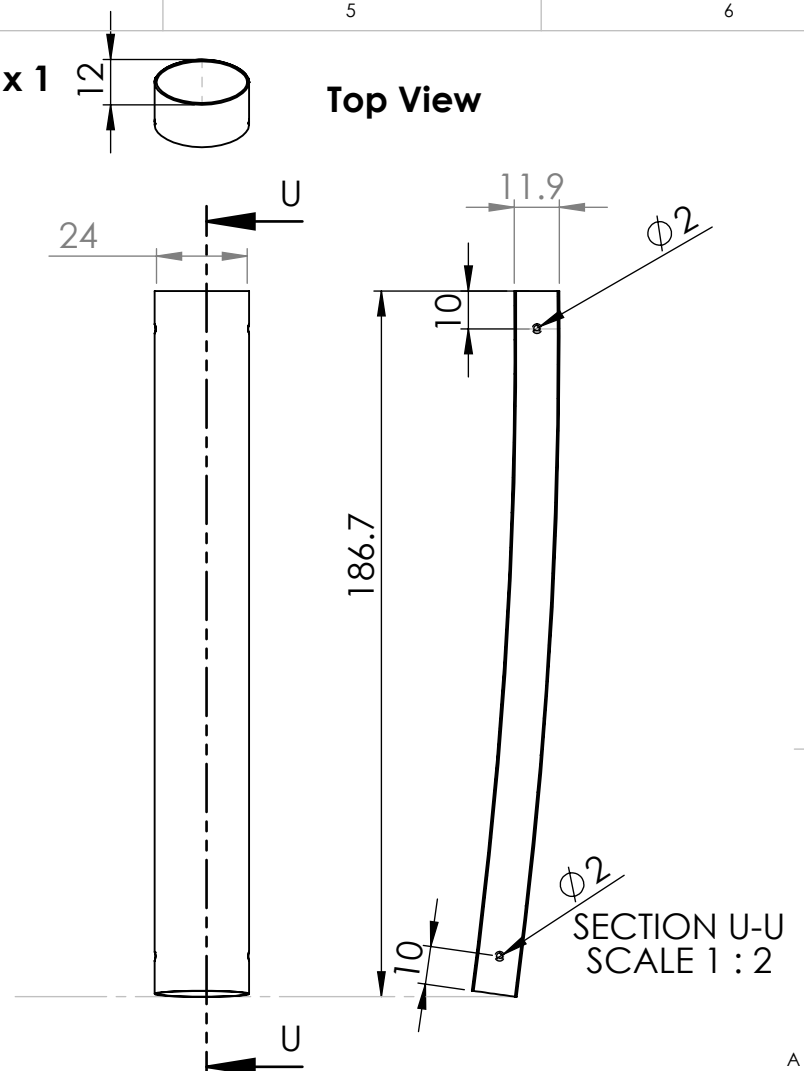
		UNLESS OTHERWISE SPECIFIED: DIMENSIONS ARE IN MILLIMETERS		TITLE: ALTO Extendable Squeegee	
		DEBUR AND BREAK SHARP EDGES		DWG NO.	
DO NOT SCALE DRAWING		REVISION #	REMARK	REVISION DATE	
NAME	DATE	MATERIAL & FINISHES:			
DRAWN RICKY SHI	06/04/14	<b>SEE SHEET 2</b>			
CHK'D ADAM BERKOWITZ					
<p>The information, data, and drawings embodied in this document are strictly confidential and are supplied with the understanding that they will not be disclosed to third parties without the prior written consent of BLP international Inc. Copyright © BLP international Inc., all rights reserved.</p>					
		SCALE:		SHEET 11 OF 14	

A4

Outer tube x 1



Inner tube x 1



**BETTER LIVING**  
design innovation center

UNLESS OTHERWISE SPECIFIED: DIMENSIONS ARE IN MILLIMETERS

TITLE: ALTO Extendable Squeegee

DEBUR AND BREAK SHARP EDGES

DWG NO.

DO NOT SCALE DRAWING

REVISION #

REMARK

REVISION DATE

NAME	DATE	MATERIAL & FINSHES:
DRAWN RICKY SHI	06/04/14	SEE SHEET 2
CHK'D ADAM BERKOWITZ		

#2 Part10 - Pinched holes revised deeper and bigger.

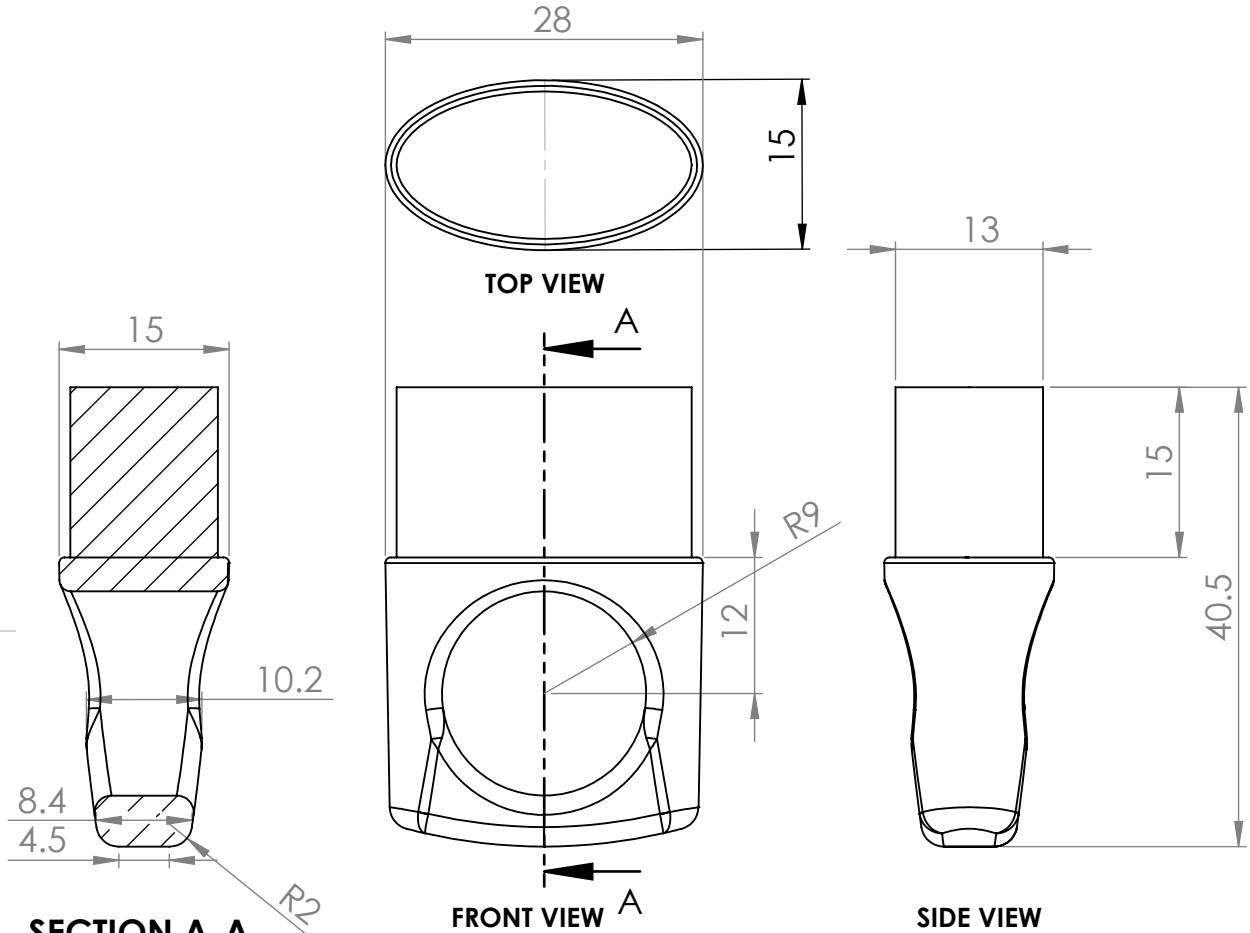
The information, data, and drawings embodied in this document are strictly confidential and are supplied with the understanding that they will not be disclosed to third parties without the prior written consent of BLP international Inc. Copyright © BLP international Inc., all rights reserved.

SCALE:

SHEET 12 OF 14

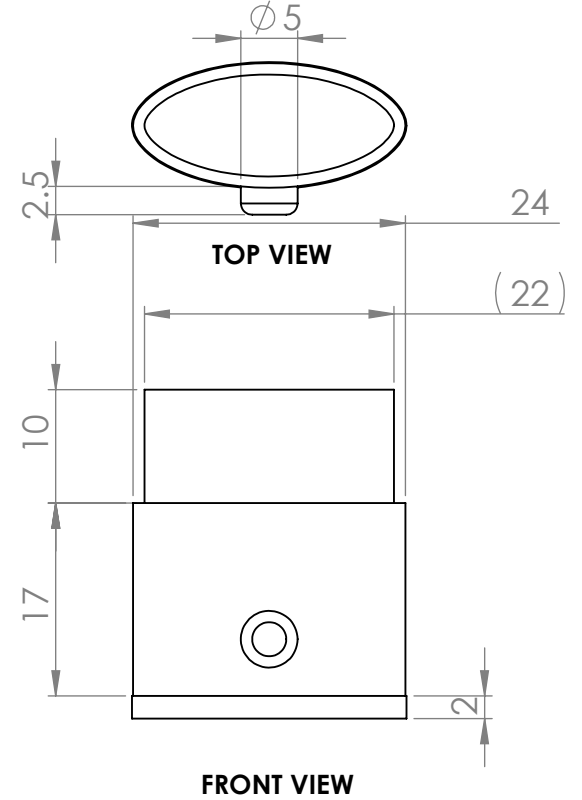
A4


# End Cap x 1



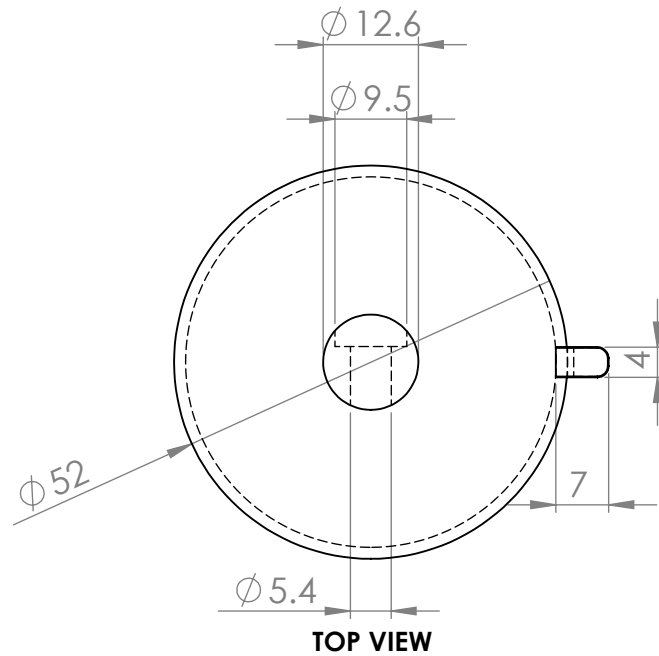
**SECTION A-A  
SCALE 1.5 : 1**

# Mechanismx 1

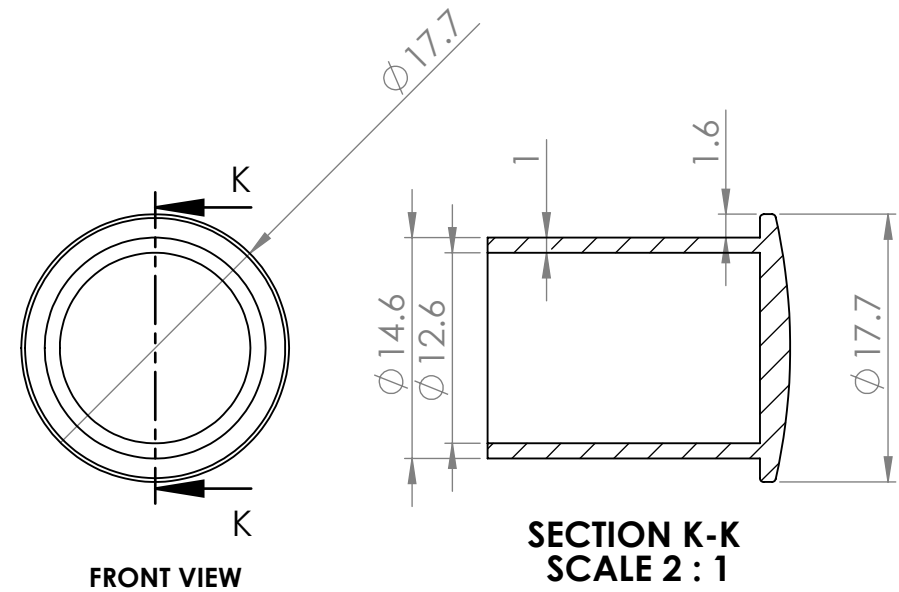



		UNLESS OTHERWISE SPECIFIED: DIMENSIONS ARE IN MILLIMETERS		TITLE: ALTO Extendable Squeegee - End Cap	
		DEBUR AND BREAK SHARP EDGES		DWG NO.	
DO NOT SCALE DRAWING		REVISION #	REMARK	REVISION DATE	
		#1	Enlarged the end cap to have a bigger hanger hole.	11/26/13	
NAME	DATE	MATERIAL & FINSHES:			
DRAWN RICKY SHI	06/04/14	SEE SHEET 2			
CHK'D ADAM BERKOWITZ					
<p>The information, data, and drawings embodied in this document are strictly confidential and are supplied with the understanding that they will not be disclosed to third parties without the prior written consent of BLP international Inc. Copyright © BLP international Inc., all rights reserved.</p>					A4
		SCALE:		SHEET 13 OF 14	

### Suction Cup (Stock part)



### Top Cap



		UNLESS OTHERWISE SPECIFIED: DIMENSIONS ARE IN MILLIMETERS		TITLE: ALTO Extendable Squeegee - suction cup with top cap	
		DEBUR AND BREAK SHARP EDGES		DWG NO.	
DO NOT SCALE DRAWING		REVISION #	REMARK	REVISION DATE	
NAME	DATE	MATERIAL & FINISHES:			
DRAWN RICKY SHI	06/04/14	SEE SHEET 2			
CHK'D ADAM BERKOWITZ					
<p>The information, data, and drawings embodied in this document are strictly confidential and are supplied with the understanding that they will not be disclosed to third parties without the prior written consent of BLP international Inc. Copyright © BLP international Inc., all rights reserved.</p>					
		SCALE:		SHEET 14 OF 14	